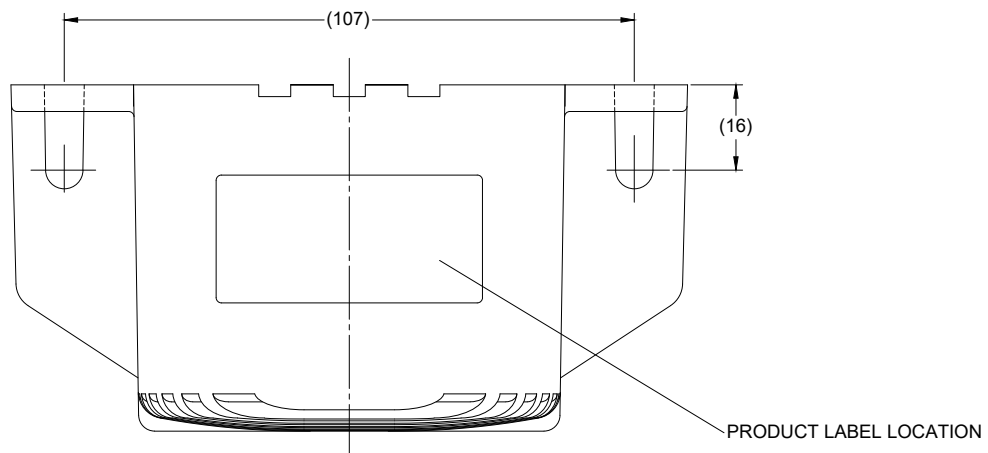
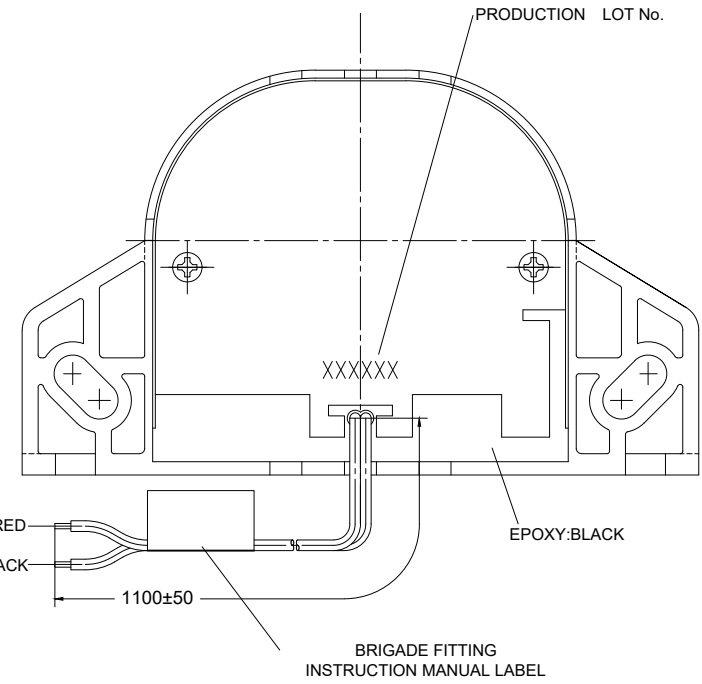
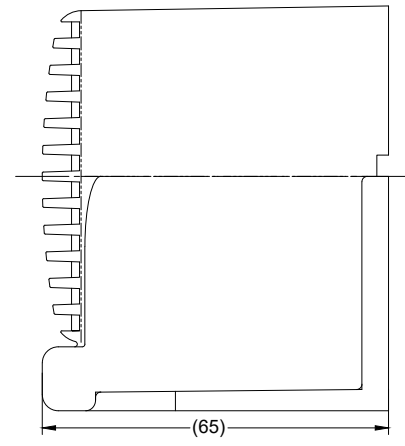
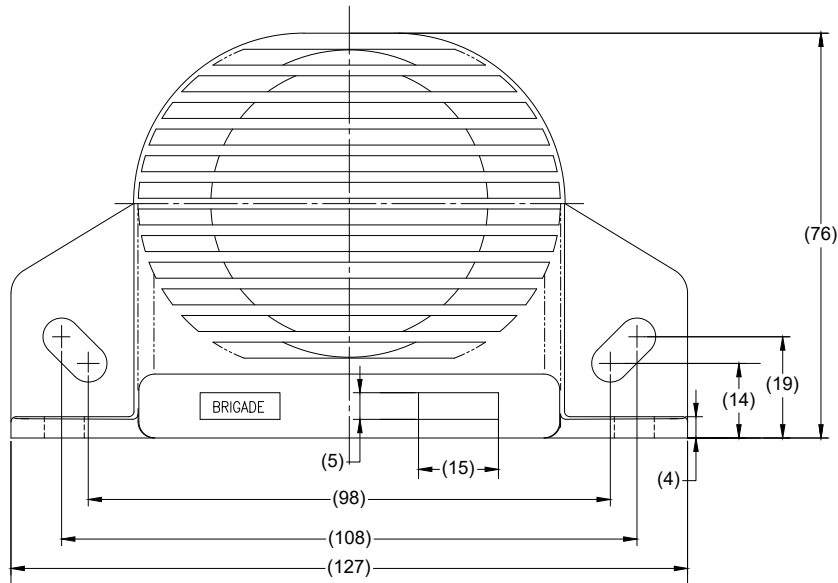


Revision Notes:				
R1 -				
APA:	Drawn:	Checked:	Approved:	Date:



**SPECIFICATION:**

- 1) RATED VOLTAGE: 36 ~ 84 VOLTS DIRECT CURRENT (WORKING VOLTAGE RANGE 28 ~ 112 VOLTS)
- 2) RATED CURRENT: 0.115 AMPERES OR LESS
- 3) SOUND PRESSURE: 82±4 DECIBELS AS DETERMINED AT DISTANCE OF 1.2M IN FRONT OF BODY AT HEIGHT OF 1M ABOVE GROUND AT RATED VOLTAGE.
- 4) INTERMITTENCY: 80±10 CYCLES PER MINUTE AT TEST VOLTAGES OF 42-96 VOLTS
- 5) TONE: WHITE SOUND.

- NOTES:**
1. FINISH: BLACK
  2. HOUSING MATERIAL: AES PLASTIC.
  3. FOR PACKAGING & LABELING DETAIL REFER TO THE LATEST REVISION OF THE MASTER BOM

**PROPRIETARY NOTICE**  
 THIS DESIGN AND TECHNICAL INFORMATION APPEARING ON THIS DRAWING IS THE PROPERTY OF BRIGADE ELECTRONICS, AND IS DISCLOSED IN CONFIDENCE. IT IS NOT TO BE COPIED, REPRODUCED, REVEALED TO OR EXPROPRIATED BY OTHERS, EITHER IN WHOLE OR IN PART WITHOUT THE EXPRESS WRITTEN CONSENT OF BRIGADE ELECTRONICS.



Assembly Pl Approval W. FUKUZAWA	Approved by A. KEBEDE	Checked by D. FOALE	Drawn by L. CHEUNG
Angle of Projection 		Units mm	Scale N/A
Status RELEASED		Released 26/09/2024	Assembly Ref BBS-82HV
Part No 1322A		BE-004911-00-24	